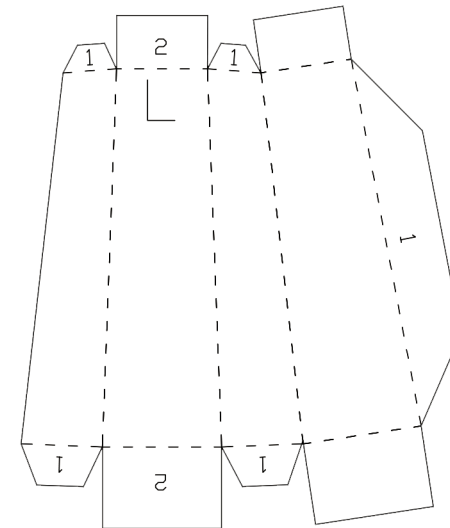
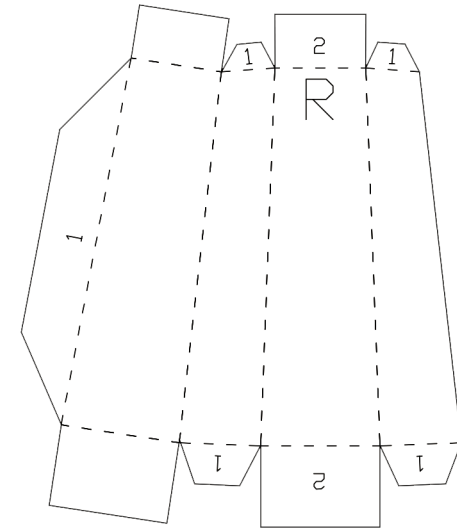
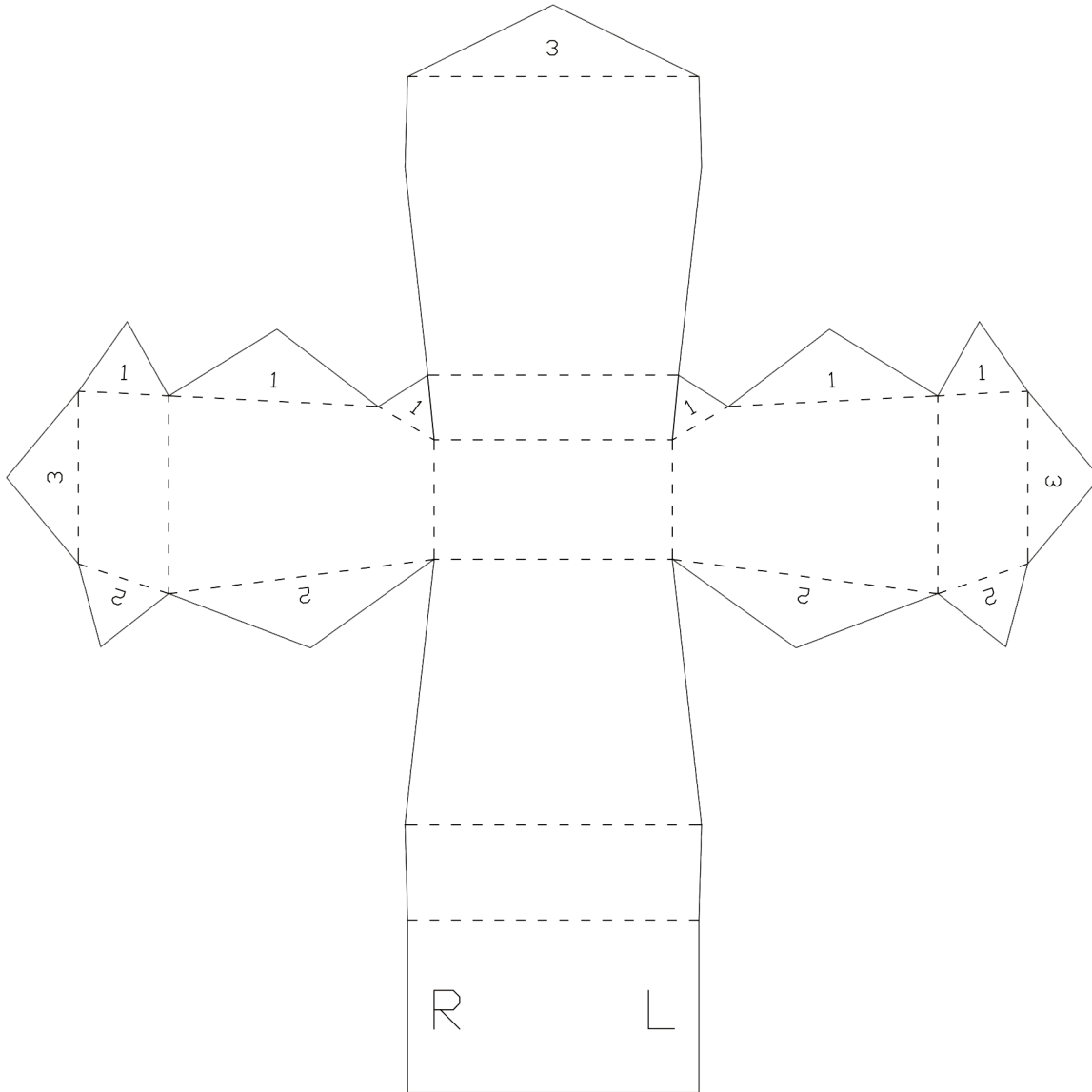


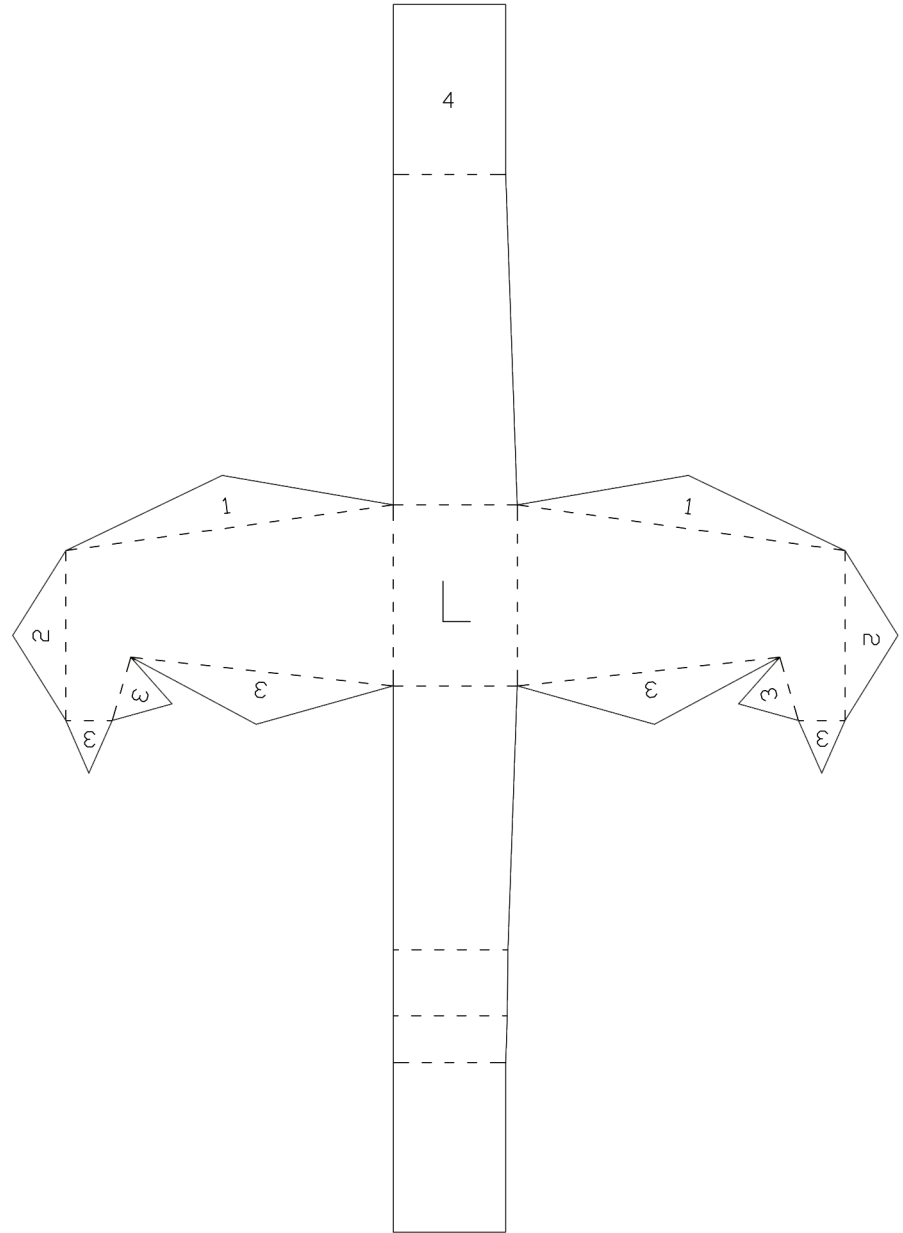
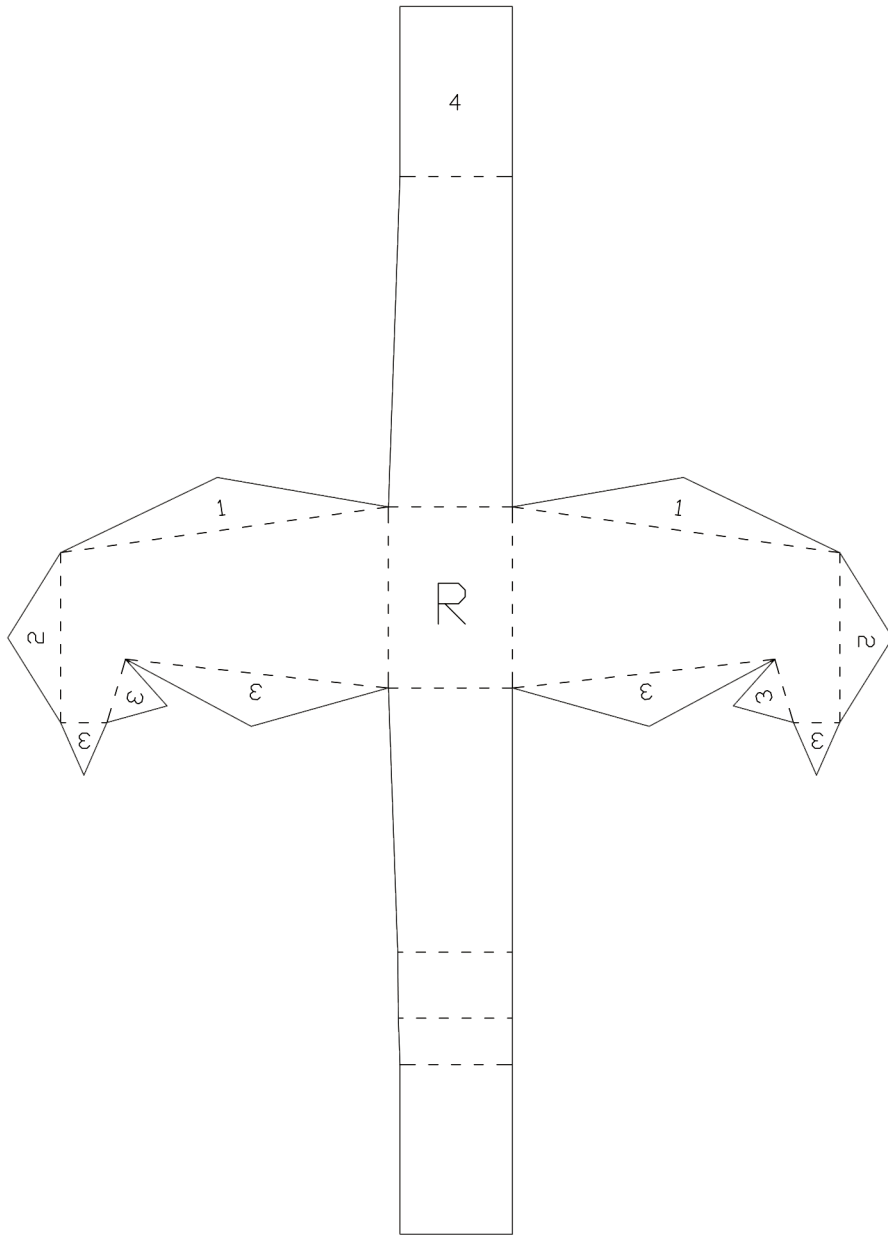
PAPER CRAFT COOL CATS^{*}

1. To get the best results, print in 250 GSM paper.
2. Solid lines are meant to be cut, and dotted lines are meant to be fold.
3. From start to finish it takes 1-2 hours to build.
4. Take your time cutting the pieces, there is no need to rush.
5. It is best if you do all the cutting and folding before the assembly.
6. A ruler is your best friend when it comes to folding, we advise you to use one.
7. The numbers on the pieces show the order in which is meant to build.
8. If you mess up, try again! You can print as many as you want.
9. Paper crafts are meant to be fun, so just enjoy yourself.
10. Pro tip: make this a family/friends activity, makes it more enjoyable.



PAPER CRAFT COOL CATS

Struggling with your build? Scan this QR code, join our Discord and get some help.



PAPER CRAFT COOL CATS

Post a picture to Twitter and tag us
@PaperCraftCats, we would love to see your cat.